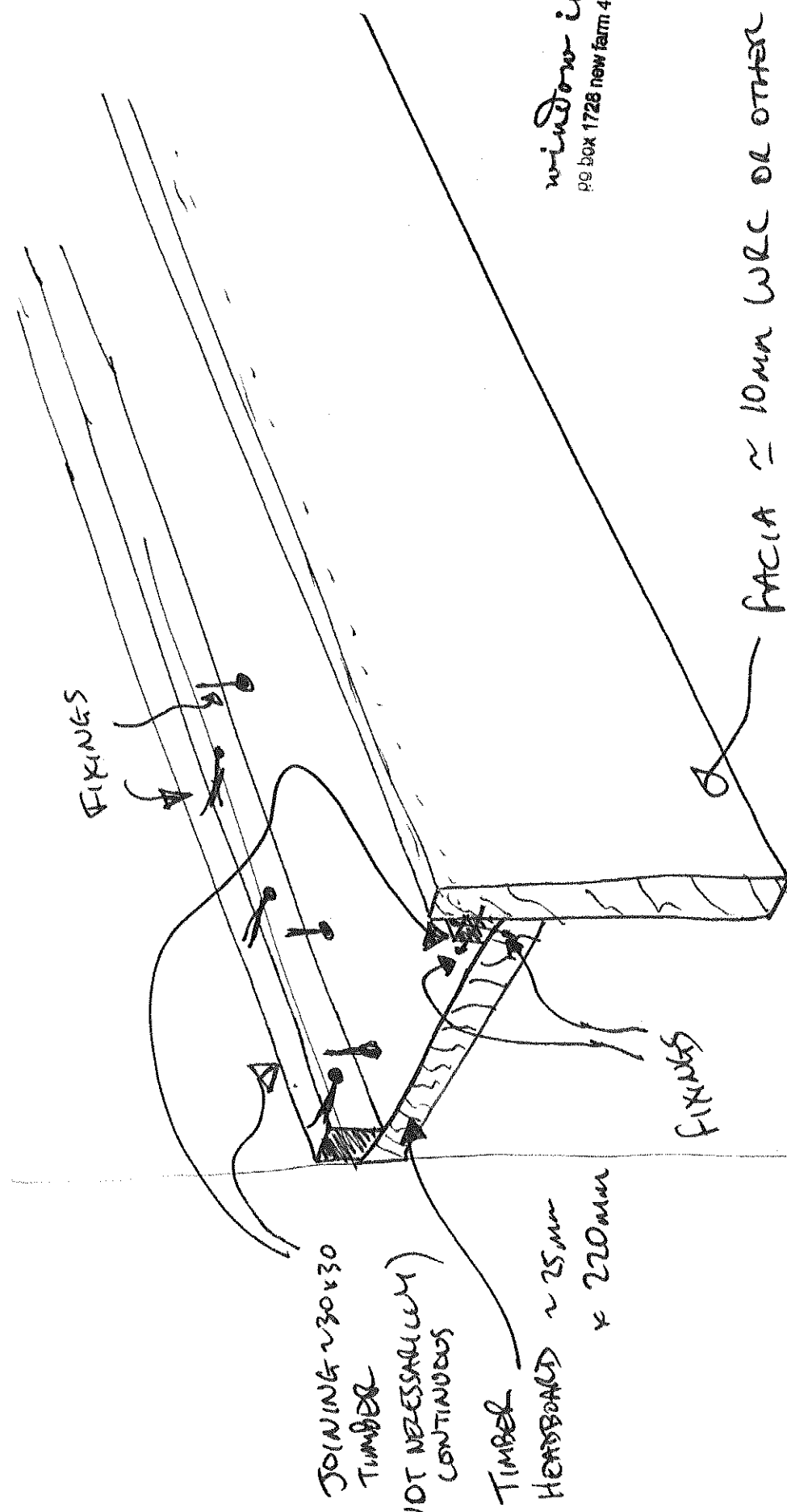


SUGGESTED PERMET FOR SUNBLITE



Window image
PO BOX 1728 NEW FARM 4005

FACIA ~ 10mm WRC OR OTHER

STRAIGHT + STABLE TIMBER /
MATERIAL 200MM DEEP.

NO FIXINGS SEEN
FROM NORMAL CLIENT EYE-LINE.